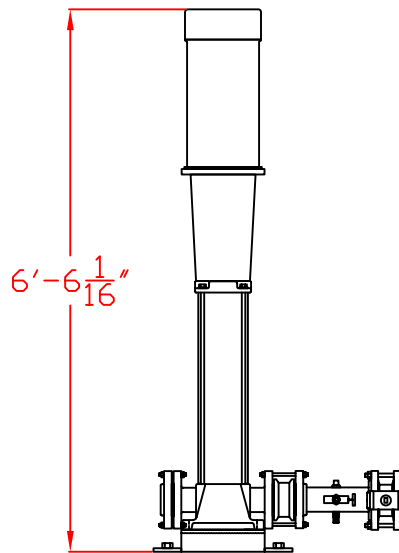
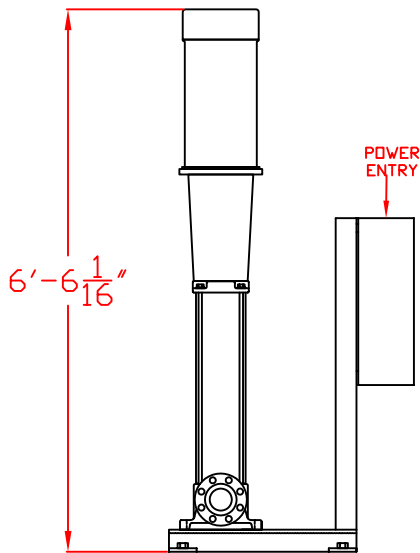
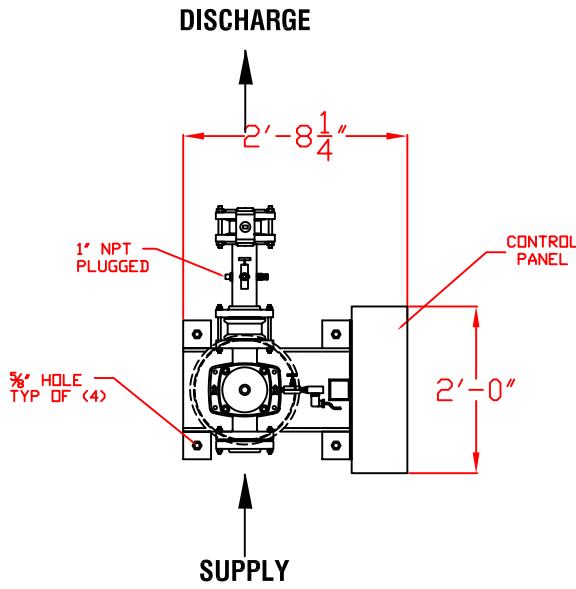


**SALES EXAMPLE ONLY
NOT FOR CONSTRUCTION**



**VERTICAL CONFIGURATION
INLINE BOOSTER PACKAGE
CR 45-8-1**

THIS DRAWING AND THE INFORMATION SHOWN HEREON IS THE EXCLUSIVE PROPERTY OF TORRENT ENGINEERING AND EQUIPMENT, LLC, AND SHALL NOT BE REPRODUCED OR DISCLOSED TO ANY THIRD PARTY WITHOUT PRIOR WRITTEN CONSENT FROM THE COMPANY.



TORRENT Engineering and Equipment

P.O. BOX 270
Phone: (574)-658-3200

MILFORD, IN 46542
Fax: (574)-658-3229

USA
www.torrentee.com