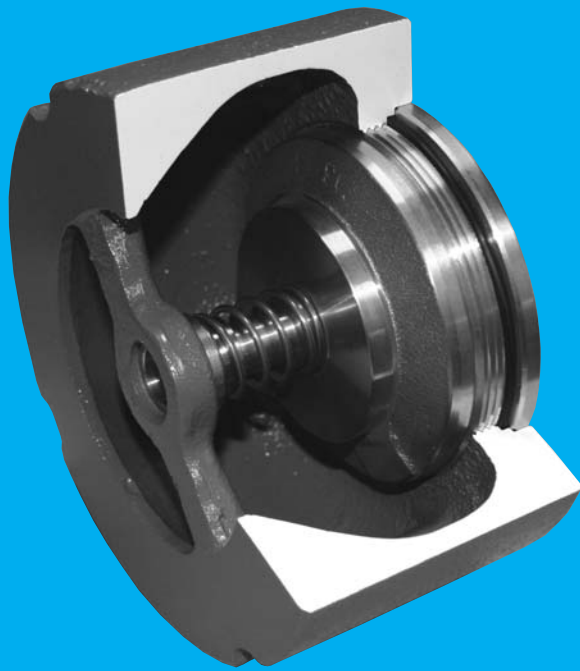


SHHH... SHHH

S HOCK- PROOF PIPING SYSTEMS



1400 SERIES

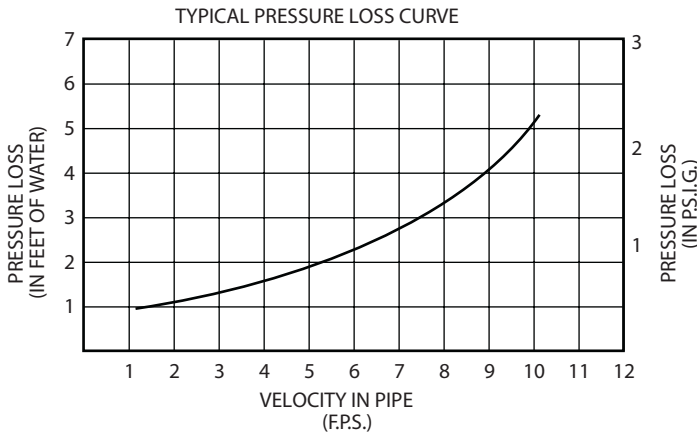
with **VAL-MATIC®** **WAFER STYLE Silent Check Valves**

Designed and engineered for silent operation with low head loss in a compact wafer body. Specially designed spring controls the closure of Val-Matic Silent Check Valves. . . closing valve disc in advance of flow reversal, thereby reducing the potential for water hammer and damaging shock normally associated with valve shut-off.

Tear-Drop Contour allows streamline flow and combined with Full Pipe Size Area of Inner Body assures minimal pressure drop.

VAL-MATIC SILENT CHECK VALVES ARE ENGINEERED FOR SILENT OPERATION / LOW HEAD LOSS Plus . . .

- Shortest Feasible Face-to-Face Dimensions
- Lightweight, Space-Saving Wafer Design
- Easily Replaceable Parts
- Functions Equally Well in All Positions
- Simple Flange-Supported Installation
- Cast Iron Body/Bronze or Stainless Steel Trim
- Metal to Metal Seating Standard - Optional Resilient Seating Available

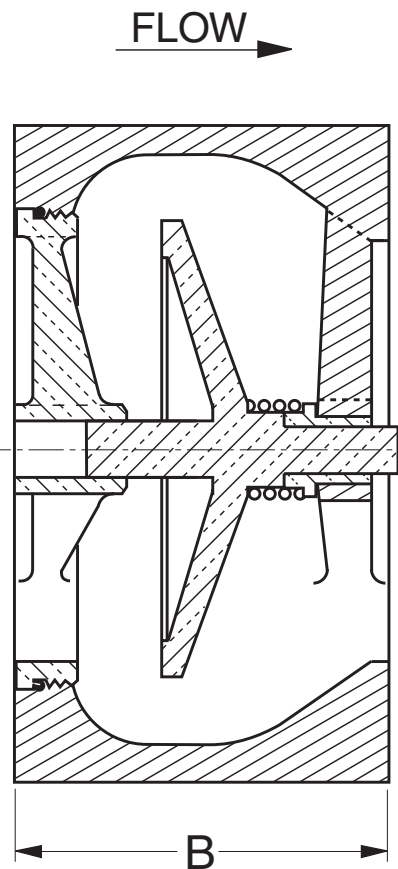
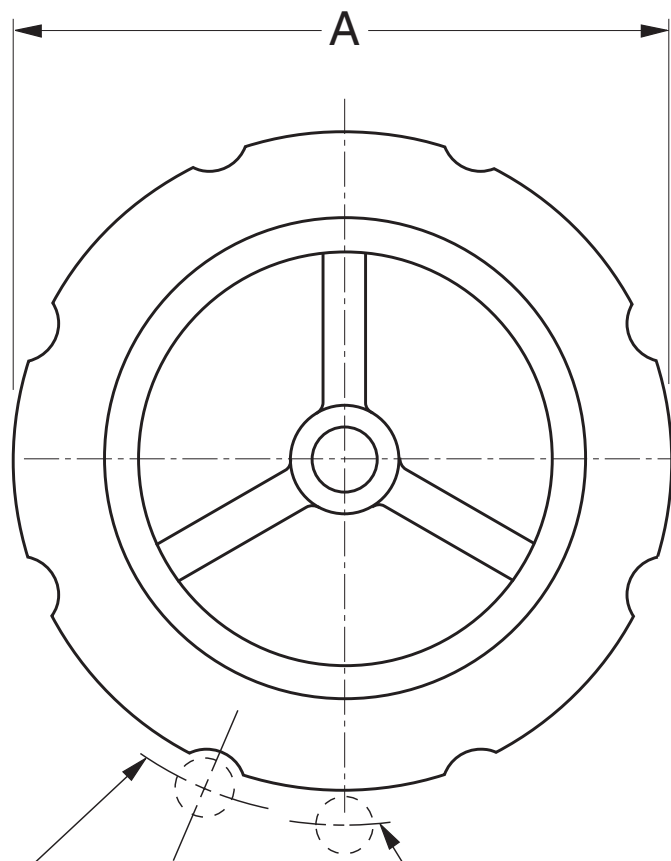


NOTE: For specific valve size pressure loss curve.... See Drawing Number 1404.

NOTE:
1. Recommended for Liquid Service Only.
2. Flanged Globe Style Valves also Available in 2 1/2" through 42" . . . See Val-Matic Bulletin 1800.



VAL-MATIC VALVE & MANUFACTURING CORP.



VALVE SIZE	MODEL* NO.	ANSI CLASS	CWP (P.S.I.)	A	B	WEIGHT LBS.
2	1402A	125/250	400	4 1/4	2 5/8	6
2 1/2	1425A	125/250	400	5	2 7/8	7
3	1403A	125/250	400	5 3/4	3 1/8	11
4	1404A	125/250	400	7	4	18
5	1405A	125/250	400	8 3/4	4 3/4	29
6	1406A	125/250	400	9 3/4	5 1/2	41
8	1408A	125	200	13 3/8	6 1/2	80
8	1458A	250	400	13 3/8	6 1/2	86
10	1410A	125	200	16	8 1/4	129
10	1460A	250	400	16	8 1/4	137

*MODEL NUMBERS REFLECT BRONZE TRIM

- NOTE:** (1) Refer to Drawing SS-120 for pressure and temperature limitations.
 (2) Additional materials and pressure classifications available.
 (3) All stainless steel valves available.



VAL-MATIC VALVE & MANUFACTURING CORP.

905 RIVERSIDE DR. • ELMHURST, IL 60126 • P: 630-941-7600 • F: 630-941-8042
 VALVES@VALMATIC.COM • WWW.VALMATIC.COM