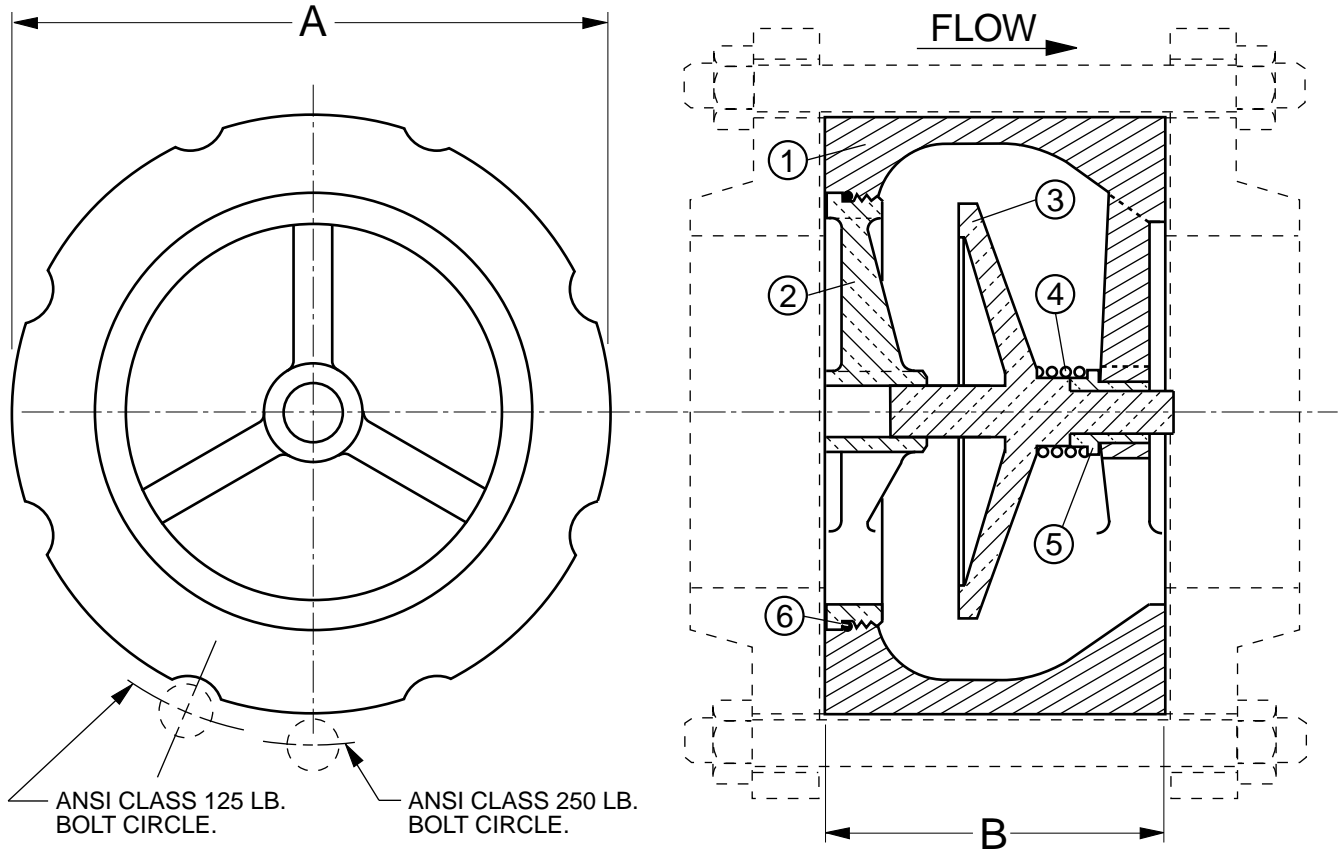


FLANGES, BOLTS, NUTS AND GASKETS ARE SUPPLIED BY OTHERS.



<u>PART NO.</u>	<u>NAME</u>	<u>PART NO.</u>	<u>NAME</u>
1	BODY	4	SPRING
2	SEAT	5	BUSHING
3	DISC	6	O-RING

SEE DRAWING NO. VM-1402A-M FOR STANDARD MATERIALS OF CONSTRUCTION.

VALVE SIZE	MODEL* NO.	ANSI CLASS	CWP (P.S.I.)	A	B
2	1402A	125/250	400	4 1/4	2 5/8
2 1/2	1425A	125/250	400	5	2 7/8
3	1403A	125/250	400	5 3/4	3 1/8
4	1404A	125/250	400	7	4
5	1405A	125/250	400	8 3/4	4 3/4
6	1406A	125/250	400	9 3/4	5 1/2
8	1408A	125	200	13 3/8	6 1/2
8	1458A	250	400	13 3/8	6 1/2
10	1410A	125	200	16	8 1/4
10	1460A	250	400	16	8 1/4

\* MODEL NUMBERS REFLECT BRONZE TRIM.

WAFER STYLE SILENT CHECK VALVE

DATE 10-14-04

**VAL-MATIC**<sup>®</sup>

VALVE AND MANUFACTURING CORP.

DRWG. NO.

VM-1402A

# WAFER STYLE SILENT CHECK VALVE

SERIES NO. 1400 ANSI CLASS 125 & 250

STANDARD MATERIALS OF CONSTRUCTION

<u>PART NO.</u>	<u>PART NAME</u>	<u>MATERIAL</u>
1	BODY	CAST IRON ASTM A126, CLASS B
2	SEAT	BRONZE ASTM B584, ALLOY C83600
3	DISC	BRONZE ASTM B584, ALLOY C83600
4	SPRING	STAINLESS STEEL T316, ASTM A313
5	BUSHING	BRONZE ASTM B16, ALLOY C36000
6 *	RETAINING SCREWS	STAINLESS STEEL T316, ASTM F879

\* SEAT RETAINING SCREWS NOT FURNISHED ON VALVE SIZES 2" & 2 1/2".

NOTE: ALL SPECIFICATIONS AS  
LAST REVISED.

Revised 3-17-06

MATERIALS OF CONSTRUCTION

DATE 7/14/82

**VAL-MATIC<sup>®</sup>**

VALVE AND MANUFACTURING CORP.

DRWG. NO.

VM-1402-M