



## Sentinel Series Drain Valves

Models MDV-400I and MDV-400L



Model  
MDV-400I



Model  
MDV-400L

### Choose the features you need

Whether you need the simplicity of a basic valve or the flexibility of added features, the Sentinel Series is your solution. Choose from two models, plus different options and accessories to fit the level of adjustment and controls you need.

#### MDV-400I

For dependable draining at consistent intervals in a no-frills package, choose Sentinel model MDV-400I. A **power on LED and test button** are handily located on the top cover. To reset the valve, simply adjust the switches on the internal circuit board.

#### MDV-400L

If you prefer an **easy-to-use keypad** for convenient timing adjustments and a handy **LCD cycle status readout**, choose Sentinel model MDV-400L. You'll never wonder "when it's set to fire again" with its continuous, clear countdown display of the remaining cycle or drain open times. Added features include **external test and valve fault functions**, both with LCD readout.

The Sentinel Series is also offered with a stainless steel valve, as well as several valve size and voltage options.

### Zero loss with demand draining

For draining based on actual liquid levels, the Sentinel can operate in response to a liquid level sensor. When used as a demand drain, the Sentinel drains only liquid, eliminating air or gas loss and noise.

### Reliably manage any fluid with ease

For the most dependable, "round the clock" draining, install Van Air Sentinel Series drain valves.

The Sentinel's heavy-duty ball valve can manage virtually any fluid in a wide variety of uses, including cooling towers, portable installations, natural gas service, process tanks, separators, compressed air dryers and general condensate management.

With a high-quality, two-piece ball valve that resists clogging, the Sentinel provides maximum fluid flow and long-term reliability. Depend on it for nearly any fluid service.



Choose from a variety of valve  
sizes and types.



Add a level switch to  
either model for demand  
drain capabilities.



Easily adjust  
controls on model MDV-400I to  
change drain cycle or open times.

# Sentinel Series Drain Valves

## Standard Specifications

### Models MDV-400I and MDV-400L:

115 VAC  
10' power cord w/plug  
Two-piece brass ball valve  
1/2", 3/4" or 1" NPT connection  
Thermoplastic top cover  
Epoxy powder coated metal base  
NEMA 4 enclosure  
Ambient temperature range:  
0°F to 120°F – MDV-400I  
10°F to 120°F – MDV-400L  
Maximum working pressure:  
standard brass  
– 600 psig  
optional stainless steel  
– 900 psig

### Model MDV-400I:

Power on light  
External test button  
Internal timing adjustment  
Demand draining capability  
Cycle time: 30 min. increments  
from 30 min. to 30 hrs.  
Open time: 5, 10, 15 and 20 sec.

### Model MDV-400L:

LCD cycle status display  
Demand draining capability  
External test button  
External keypad timing adjustment  
Cycle time: 1 min. to 99 hrs. 59 min.  
Open time: 1 sec. to 99 min. 59 sec.

## Options & Accessories

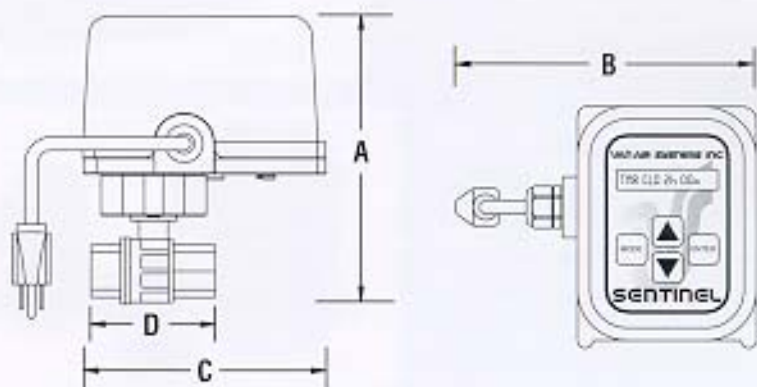
12 VDC, 24 VDC, 230 VAC  
Brass ball valve:  
1 1/2", 2", 2 1/2" and 3"  
Stainless steel ball valve:  
1 1/2" and 2"  
Alarm contact for remote indication  
of fault mode (MDV-400L only)  
High liquid level sensor  
Low liquid level sensor

*Actuator w/standardized ISO mounting  
pad sold separately*

## Dimensions and Weights – Standard Brass Ball Valves

Inches (cm) and Pounds (Kg)

VALVE CONNECTION SIZE	A	B	C	D	APPROX. WEIGHT
1/2 NPT	6.5	6.8	6.0	2.6	8.2
	16.5	17.3	15.2	6.6	3.7
3/4 NPT	6.7	6.8	6.0	3.0	8.4
	17.0	17.3	15.2	7.6	3.8
1 NPT	7.2	6.8	6.0	3.3	8.8
	18.3	17.3	15.2	8.4	4.0



## How to Order

To order, add the appropriate letter to the base model number and list voltage, valve material and connection size:

MDV-400I = Internally adjustable model w/external test button  
MDV-400L = LCD display version w/external membrane keypad

Distributed by:



2950 Mechanic Street, Lake City, PA 16423 USA  
Phone: (814) 774-2631, (800) 840-9906  
Fax: (814) 774-0778  
E-mail: [vanair@vanairsystems.com](mailto:vanair@vanairsystems.com)  
[www.vanairsystems.com](http://www.vanairsystems.com)