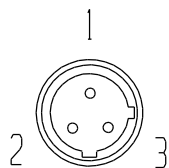
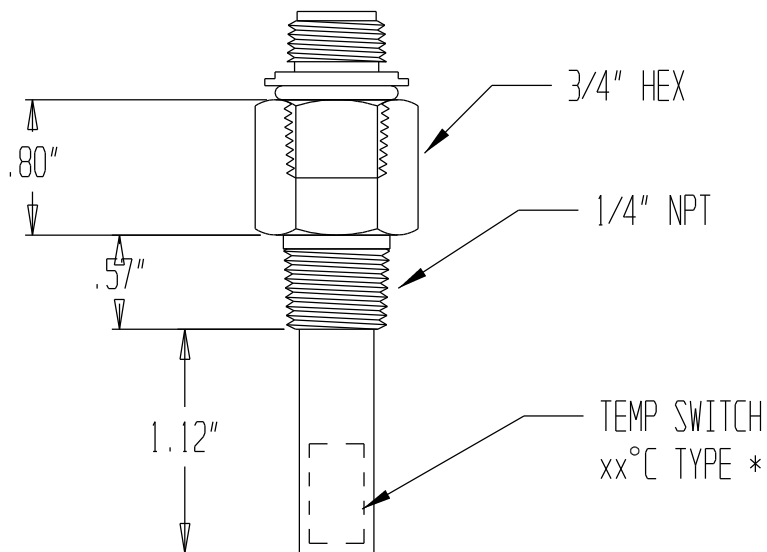


TWS SERIES



PIN 1 - NOT USED
 PIN 2 - TEMP
 PIN 3 - TEMP



*
 INDICATE TEMP IN °C
 TYPE -A- N.C.
 TYPE -B- N.O.

MATERIAL:
 STEM: BRASS

PART#
 TWS-xx (N.C. or N.O.)

RECEPTACLE: MICRO AC 3PIN MALE
 TEMP SWITCH OPERATION: N.O. OR N.C.

TEMPERATURE SWITCH SPECS.
 Settings: +5°C to +110°C in 5° increments
 Accuracy: ±5°C
 Contact Ratings:
 6 amps/120 volts AC resistive
 5 amps/120 volts AC inductive

	INNOVATIVE COMPONENTS 384 OLD TURNPIKE ROAD, P.O. BOX 294 SOUTHLINGTON, CT. 06489	
	TITLE: TWS SERIES	
MODEL: TWS-xx A or B	DRAWN BY: F. J. K DATE: 06/11/99	
STOCK: X	SHEET: 1 OF 1 SCALE: . NONE	
FILENAME: C:\CK7\PR7\TWS\TWS-MASTER		REV: