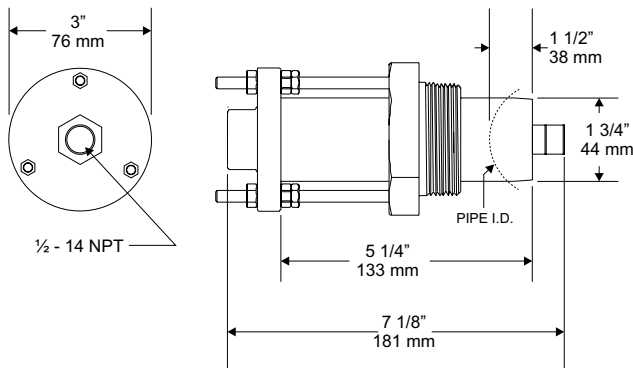


The Data Industrial Series 200 flow sensors feature a six bladed impeller design with a proprietary non-magnetic sensing mechanism. The forward swept impeller shape provides higher, more consistent torque and is less prone to be fouled by water borne debris. The forward curved shape coupled with the absence of magnetic drag provides improved operation and repeatability even at lower flow rates. This is especially true where the impeller is exposed to metallic or rust particles found in steel or iron pipes. As the liquid flow turns the impeller, a low impedance square wave signal is transmitted with a frequency proportional to the flow rate. The signal can travel up to 2000' between the flow sensor and the display unit without the need for amplification. All sensors except irrigation versions are supplied with 20' of Belden type 9320 two conductor shielded cable.



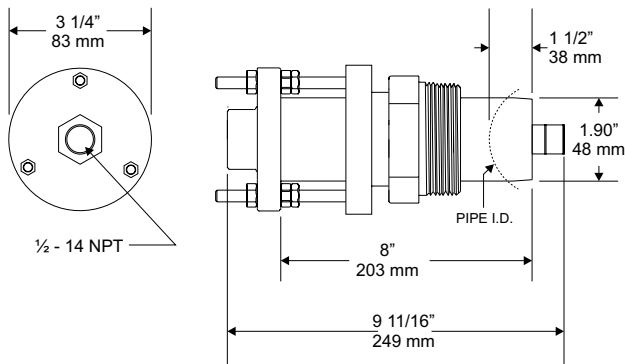
Dimensions 220BR, 220SS



Model 220BR (Brass) and 220SS (Stainless Steel) Sensor

The Model 220B and 220SS sensors are used in most general flow measuring applications in metallic or non-metallic pipes. The sensor mounts in a 2" NPT pipe saddle or Threadolet® for installation in pipe sizes from 3" to over 40". Positioning nuts on the three threaded retaining rods allow the sensor to be accurately positioned to a standard insertion depth of 1 1/2" into the pipe. When this insertion depth is maintained, and there is at least 10 upstream and 5 downstream diameters of straight uninterrupted flow, an accuracy of +/-1% of full scale can be obtained from flow velocities of 0.5 to 30 feet/second (± 4.0% of reading within calibration range).

Dimensions 220PVS



Model 220PVS

The Data Industrial 220PVS flow sensor is an insertion style flow sensor constructed of non-metallic materials for all wetted parts. These sensors are designed for service in corrosive liquids. The metallic trim, in non-wetted areas, is 316 stainless steel. The sensor mounts in a 2" NPT thread and may be attached to the pipe with a saddle or other types of mounting hardware.



Specifications

Wetted Materials for all sensors

- (see ordering matrix)

Sensor Sleeve and Hex Adapter for 220BR

- Sleeve: Admiralty Brass, UNS C44300; Hex Adapter: Valve Bronze, UNS C83600

Sensor Sleeve and Hex Adapter for 220SS

- 316 Series Stainless Steel

Temperature Ratings

- Standard Version:
 - 221°F (105°C) continuous service
- Irrigation Version:
 - 150°F (66°C) continuous service
- PVC Version:
 - 140°F (60°C) continuous service
- High Temperature Version: (not available in PVC)
 - 285°F (140.6°C) continuous service
 - 305°F (150°C) peak temperature (limited duration)

Pressure Ratings

	<u>At 100°F</u>	<u>At 300°F</u>
Metallic Sensor		
220BR	400 psi	325 psi
220SS	400 psi	325 psi
Plastic Sensor		
220PVS	100 psi	N/A

Recommended Design Flow Range

- 0.5 to 30 ft/sec
- Initial detection below 0.3 ft/sec

Accuracy

- ± 1.0% of full scale over recommended design flow range
- ± 4.0% of reading within calibration range

Repeatability

- ± 0.3% of full scale over recommended design flow range

Linearity

- ± 0.2% of full scale over recommended design flow range

Transducer Excitation

- Quiescent current 600uA@8VDC to 35VDC max.
- Quiescent voltage (V_{high})
Supply Voltage - (600uA*Supply impedance)
- ON State (V_{Low}) Max. 1.2VDC@40mA current limit (15Ω+0.7VDC)

200 Series Insert Style Matrix (sizes 3" and up)

Example: 2 20 BR 00 0 5 - 1 2 1 1	
STYLE	Short Insert 20
MATERIAL	Brass BR Stainless Steel SS PVC Sleeve w/Stainless Steel Trim PVS
Size	Insert Style 00
Electronics Housing	PPS 0
ELECTRONICS	Magnetic 2 FM/CSA Approved 4 Standard 5 IR-Irrigation 6 High Temperature 8
O-RING	Viton 0 EPDM 1 Kalrez 2 Food Grade Silicon 3 Neoprene 4 Chemraz 5 Teflon Encapsulated Viton 6 Teflon Encapsulated Silicone 7 Buna N 8
SHAFT	Zirconia Ceramic 0 Hastalloy C 1 Tungsten Carbide 2 Titanium 3 Monel 5 316 Stainless Steel 6 Tantalum 7
IMPELLER	Nylon 1 Tefzel 2
BEARING	Pennlon 1 Tefzel 2 Teflon 3

Output Frequency

- 3.2 Hz to 200 Hz

Output Pulse Width

- 5 msec ±25%

Electrical Cable for Standard Sensor Electronics

- 20 feet of 2-conductor 20 AWG shielded U.L. type PTLC wire provided for connection to display or analog transmitter unit. Rated to 105°C. May be extended to a maximum of 2000 feet with similar cable and insulation appropriate for application.

Electrical Cable for IR Sensor Electronics

- 48 inches of U.L. Style 116666 copper solid AWG 18 wire w/direct burial insulation. Rated to 105°C.

